



MANUAL SNAP GAUGE

- Rugged manual snap gauge for the mass-control of outside diameters of cylindrical parts in the range 3 to 150 mm (.12" to 5.90").

It can be used both directly on the part in the machine tool and as a simple fixture (an optional bench support is also available).

- Quick and easy to retool without any

special tools. The mechanical zero setting is not requiring the assembly of the measuring instrument.

- No maintenance is needed, thanks to its long life carbide reference prisms and contacts.
- Available with two different types of handle, anatomic and slim.
- It can be used with any measuring gauge with clamping diameter 8 mm or 3/8", such as our Red Crown pencil probes, Quick Read compact electronic display unit and, through an optional adapter, Quick Digit electronic digital indicator.
- A wide range of accessories providing flexibility is available, such as off-set measuring contacts to allow checks close to shoulders, bench support, pushing device for part location.

CONFIGURATION LAYOUT AND RETOOLING RANGE

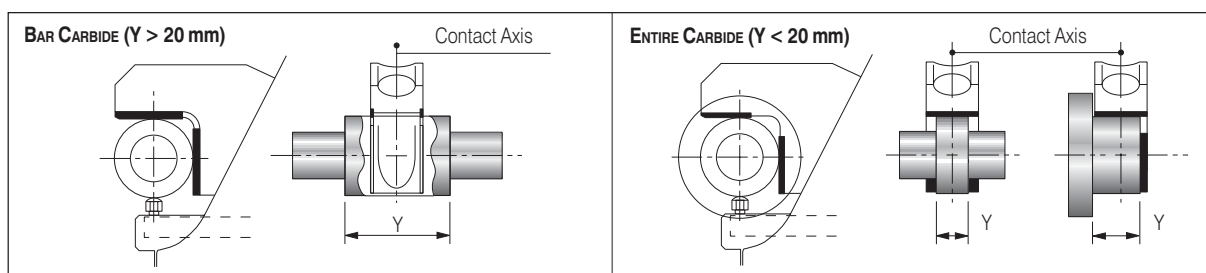
RANGE	SNAP GAUGE BODY	PRETRAVEL ADJUSTER	REFERENCE PRISM UNIT
∅ 3 - 25 mm (.12" - .98")		WITHOUT PUSHER	3 - 5 mm (.12" - .20")
		WITH PUSHER	5 - 10 mm (.20" - .39")
		WITH PUSHER	10 - 25 mm (.39" - .98")
∅ 25 - 50 mm (.98" - 1.97")		WITHOUT PUSHER	WITH ENTIRE CARBIDE
		WITH PUSHER	WITH BAR CARBIDE
∅ 50 - 100 mm (1.97" - 3.94")		WITHOUT PUSHER	WITH ENTIRE CARBIDE
		WITH PUSHER	WITH BAR CARBIDE
∅ 100 - 150 mm (3.94" - 5.90")		WITHOUT PUSHER	WITH ENTIRE CARBIDE
		WITH PUSHER	WITH BAR CARBIDE

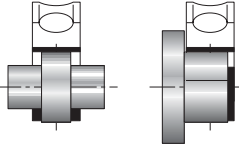
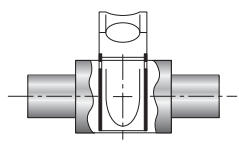
TECHNICAL SPECIFICATIONS

RETOOLING RANGE (mm)	3 - 25	25 - 50	50 - 150
MEASURING RANGE	$\pm 0.300 \text{ mm}$	$\pm 0.400 \text{ mm}$	$\pm 0.500 \text{ mm}$
REPEATABILITY	$\leq 1 \mu\text{m}$		
WEIGHT	0.340 - 0.420 kg	0.640 - 0.875 kg	0.850 - 1.085 kg
MEASURING FORCE	Subject to the measuring instrument		

REFERENCE PRISM UNIT

These units are supplied with wear resistant entire carbide. For parts with external diameter in the range 25 to 150 mm they are available also with wear resistant bar carbide, but can be used only to measure workpieces longer than 20 mm.

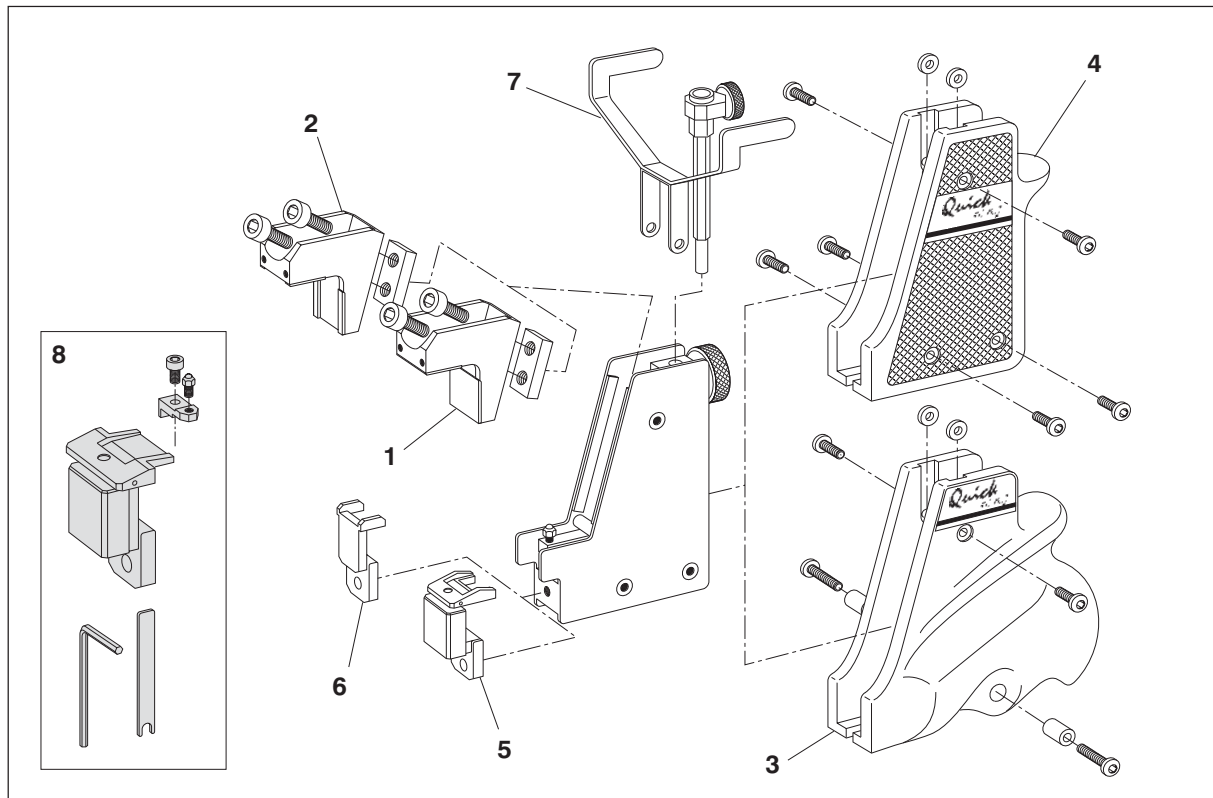


REFERENCE PRISM UNIT	TYPE OF SNAP GAUGE		ANATOMIC HANDLE		SLIM HANDLE	
	RETOOLING RANGE	PRETRAVEL ADJUSTER	DIAMETER 8 mm ORDER CODE	DIAMETER 3/8" ORDER CODE	DIAMETER 8 mm ORDER CODE	DIAMETER 3/8" ORDER CODE
 <p>WITH ENTIRE CARBIDE</p>	3 - 5 mm (.12" - .20")	WITH PUSHER	N/A	N/A	3519750282	3519750287
		W/O PUSHER	N/A	N/A	3519750292	3519750297
	5 - 10 mm (.20" - .39")	WITH PUSHER	N/A	N/A	3519750281	3519750286
		W/O PUSHER	N/A	N/A	3519750291	3519750296
	10 - 25 mm (.39" - .98")	WITH PUSHER	N/A	N/A	3519750280	3519750285
		W/O PUSHER	N/A	N/A	3519750290	3519750295
	25 - 50 mm (.98" - 1.97")	WITH PUSHER	3519750060	3519750065	3519750080	3519750085
		W/O PUSHER	3519750070	3519750075	3519750090	3519750095
	50 - 100 mm (1.97" - 3.94")	WITH PUSHER	3519750160	3519750165	3519750180	3519750185
		W/O PUSHER	3519750170	3519750175	3519750190	3519750195
	100 - 125 mm (3.94" - 4.92")	WITH PUSHER	N/A	N/A	3519750600	3519750605
		W/O PUSHER	N/A	N/A	3519750620	3519750625
	125 - 150 mm (4.92" - 5.90")	WITH PUSHER	N/A	N/A	3519750650	3519750655
		W/O PUSHER	N/A	N/A	3519750670	3519750675
 <p>WITH BAR CARBIDE</p>	25 - 50 mm (.98" - 1.97")	WITH PUSHER	3519750061	3519750066	3519750081	3519750086
		W/O PUSHER	3519750071	3519750076	3519750091	3519750096
	50 - 100 mm (1.97" - 3.94")	WITH PUSHER	3519750161	3519750166	3519750181	3519750186
		W/O PUSHER	3519750171	3519750176	3519750191	3519750196
	100 - 125 mm (3.94" - 4.92")	WITH PUSHER	N/A	N/A	3519750610	3519750615
		W/O PUSHER	N/A	N/A	3519750630	3519750635
	125 - 150 mm (4.92" - 5.90")	WITH PUSHER	N/A	N/A	3519750660	3519750665
		W/O PUSHER	N/A	N/A	3519750680	3519750685

DESCRIPTION	ORDER CODE
USER MANUAL	D0080000X1 (*)

(*) X = I (Italian); U (English); D (German); E (Spanish); F (French)

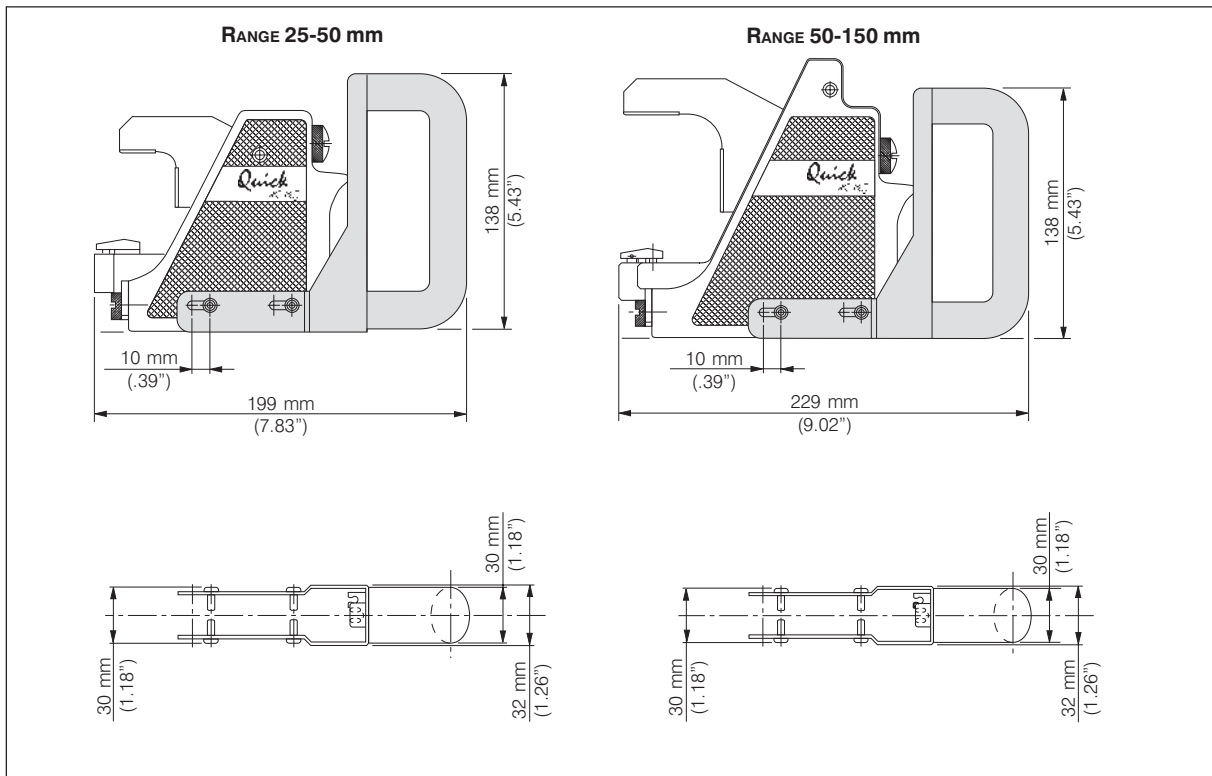
COMPONENTS AND ACCESSORIES



REF.	DESCRIPTION	RANGE Ø	ORDER CODE
1	REFERENCE PRISM UNIT WITH ENTIRE CARBIDE	3 - 5 mm (.12" - .20")	2919750072
		5 - 10 mm (.20" - .39")	2919750071
		10 - 25 mm (.39" - .98")	2919750070
		25 - 50 mm (.98" - 1.97")	2919750081
		50 - 100 mm (1.97" - 3.94")	2919750170
		100 - 125 mm (3.94" - 4.92")	2919750600
		125 - 150 mm (4.92" - 5.90")	2919750650
2	REFERENCE PRISM UNIT WITH BAR CARBIDE	25 - 50 mm (.98" - 1.97")	2919750082
		50 - 100 mm (1.97" - 3.94")	2919750171
		100 - 125 mm (3.94" - 4.92")	2919750610
3	ANATOMIC HANDLE UNIT	125 - 150 mm (4.92" - 5.90")	2919750660
		25 - 50 mm (.98" - 1.97")	2919750078
		50 - 100 mm (1.97" - 3.94")	2919750161
4	SLIM HANDLE UNIT	3 - 25 mm (.12" - .98")	2919750061
		25 - 50 mm (.98" - 1.97")	2919750086
		50 - 150 mm (1.97" - 5.90")	2919750181
5	PRETRAVEL ADJUSTER WITH PUSHER	3 - 25 mm (.12" - .98")	2919750220
		25 - 150 mm (.98" - 5.90")	2919750150
6	PRETRAVEL ADJUSTER WITHOUT PUSHER	3 - 25 mm (.12" - .98")	1019750209
		25 - 150 mm (.98" - 5.90")	1019750059
7	DIAL INDICATOR ADAPTER UNIT WITH MOUNTING DIA. 8 mm	3 - 25 mm (.12" - .98")	2919750240
		25 - 50 mm (.98" - 1.97")	2919750090
		50 - 100 mm (1.97" - 3.94")	2919750120
		100 - 150 mm (3.94" - 5.90")	2919750670
7	DIAL INDICATOR ADAPTER UNIT WITH MOUNTING DIA. 3/8"	3 - 25 mm (.12" - .98")	2919750245
		25 - 50 mm (.98" - 1.97")	2919750095
		50 - 100 mm (1.97" - 3.94")	2919750115
		100 - 150 mm (3.94" - 5.90")	2919750675
8	KIT FOR OFF-SET CONTACT (*)	3 - 25 mm (.12" - .98")	2919750310
		25 - 150 mm (.98" - 5.90")	2919750320

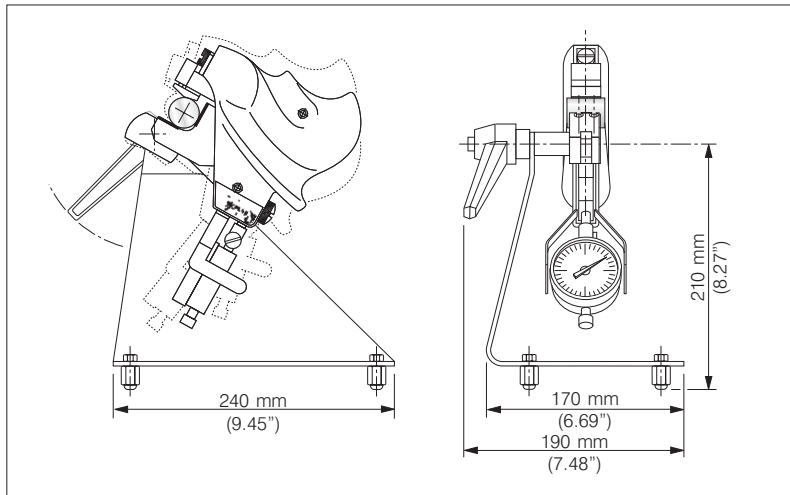
(*) It allows measurements to be performed at a minimum distance of 3 mm from a shoulder by means of a contact extension (with the standard contact the minimum distance is 10 mm).

OPTIONS



DESCRIPTION	ORDER CODE
Handle (*)	2919750880

(*) Available for slim type handle range 25 - 150 mm (0.98" - 5.90") only.



DESCRIPTION	ORDER CODE
Bench Gauge Support	2919750020

For a full list of address locations, please consult the Marposs official website

D6Q00402G0 - Edition 09/2007 - Specifications are subject to modifications
© Copyright 2007 MARPOSS S.p.A. (Italy) - All rights reserved.

MARPOSS, ® and Marposs product names/signs mentioned or shown herein are registered trademarks or trademarks of Marposs in the United States and other countries. The rights, if any, of third parties on trademarks or registered trademarks mentioned in the present publication are acknowledged to the respective owners.

Marposs has an integrated system to manage the Company quality, the environment and safety, attested by ISO 9001, ISO 14001 and OHSAS 18001 certifications. Marposs has further been qualified EAQF 94 and has obtained the Q1-Award.